

Series 50



Extra power for extra large pools

The Series 50 pump is ideal for the large domestic swimming pools with ancillary systems such as heating, infloor cleaning, fountains, vacuum cleaning and swim jets.

Series 50 Pumps



Clean Water Through Superior Technology

Series 50 Pumps

Clear basket lid - ease in identification of cleaning requirements

50mm male BSP threaded on body, barrel unions supplied for 50mm UPVC pipe inlet/outlet

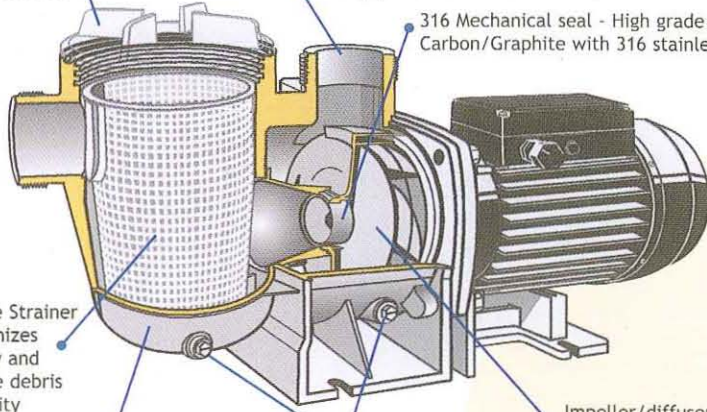
316 Mechanical seal - High grade Carbon/Graphite with 316 stainless steel

Large 2.1 litre Strainer Basket - optimizes hydraulic flow and maximizes the debris holding capacity

Pump body - Glass Filled Thermoplastic

Drain plugs

Impeller/diffuser - Glass filled Noryl.



Motor:

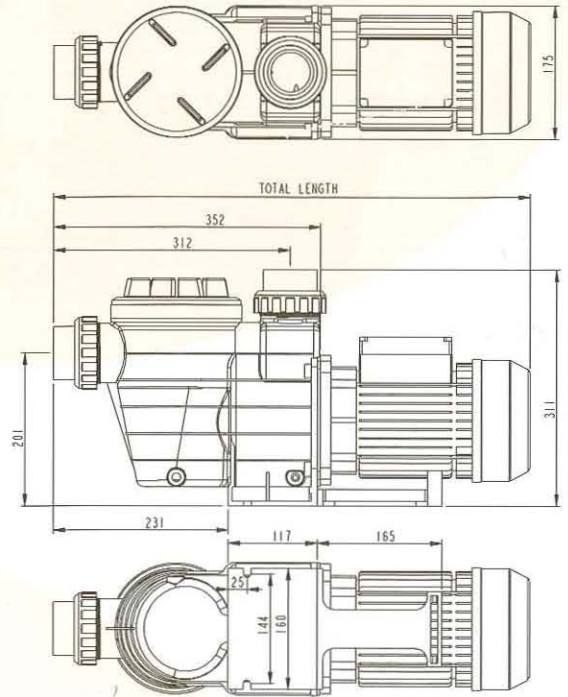
- Motor shaft 303 grade stainless steel.
- Fan cooled.
- Thermal overload
- Insect and Vermin resistant.

Efficient Impeller and Diffuser Design

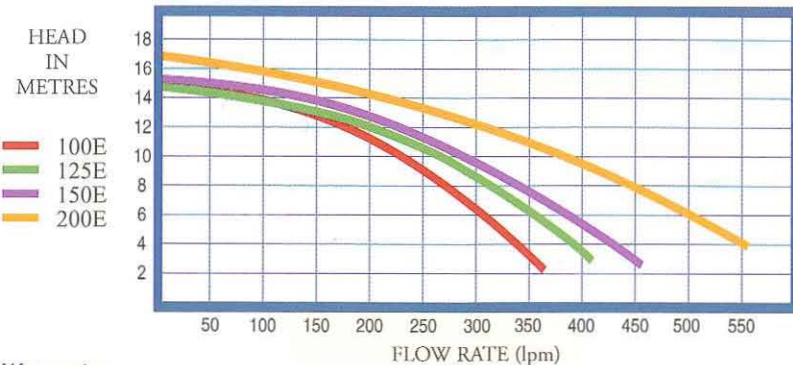
The pump's impeller and diffuser design maximizes the hydraulic output of the pump while minimizing turbulence. The pump's efficient hydraulic performance shortens run times and reduces energy consumption leading to lower operating costs.

Engineered Durability

The pump body is manufactured utilising state of the art engineering plastic moulding with a single piece strainer pot and volute for extra strength. A high grade 316 stainless steel mechanical seal is incorporated for extra protection against corrosion e.g. from chlorinated water, ozone, iodine, Baquacil, bromine and salt water.



Series 50 Pump Performance Curves



Model	Pump	Phase	HP	KW	Amps	Motor Frame	Total Length
241100A	100	1	1.00	0.84	3.70	71	587
241125A	125	1	1.25	0.96	4.20	71	587
241150A	150	1	1.50	1.15	5.30	80	608
241200A	200	1	2.00	1.50	7.20	80	629

Phase	Volts	Cycle	RPM	Pump Rating
1	220 - 240	50	2860	IPX5

Warranty

Aquaswim pumps are covered by a comprehensive 2 year warranty for residential installations and a comprehensive 1 year warranty for commercial installations.



NSW	QLD	VIC/TAS	WA	SA/NT
Sydney (Head Office)	Brisbane	Melbourne	Perth	Adelaide
Tel: (02) 9898 8686	Tel: (07) 3299 9955	Tel: (03) 9879 8855	Tel: (08) 9273 1900	Tel: (08) 8244 6000
Fax: (02) 9898 1754	Fax: (07) 3299 9911	Fax: (03) 9879 5143	Fax: (08) 9273 1999	Fax: (08) 8244 6011

DISTRIBUTED BY

In the interest of providing better quality and value we are constantly improving and updating our product. Consequently, pictures and information on our brochures may sometimes vary slightly from models available.